

# Classic

## Features:

- Begins @ \$338 armless stool (CL12)
- CL1x, -2x, -3x - Thoughtfully designed for doctor's exam rooms
- Casters that move less readily until a user is fully seated
- 360 degree accessible, round exam stool height adjuster
- Foot-activated seat height control for hygienic adjustments
- Priced to keep your patients AND wallets both happy and healthy!
- CL4x - Modestly priced simple task stools and chairs with basic features



# Classic (CL)

Healthcare | Lab

Please see pages 207 – 225 for casters and options.

exam room stools

## Model

### CL12



## Description

Pneumatic lift  
Chrome base  
50mm Safety soft casters (-50SS)  
Circle ring height adjuster

**NOTE:** OM reserves the right to ship up to 3x CL stools per carton. A \$20 net fee may apply for split cartoning (i.e., 3 stools in 3 boxes).

## Textile Grade-In

Grade 1 / C.O.M.	\$338.00
Grade 2 / Grade-in A	\$358.00
Grade 3 / Grade-in B	\$378.00
Grade 4 / Grade-in C	\$398.00
Grade 5 / Grade-in D	\$418.00
Grade 6 / Grade-in E	\$438.00

## List

## Specifications

Overall width	22"
Overall height	15.5" - 20.5"
Back	N/A
Seat	16" diameter
Seat height	15.5" - 20.5"
Travel range (ht.)	5" (seat)
COM	.75 yd.
Carton / FedEx wt	23 lbs / 28 lbs
Arms	N/A
Warranty	12 year limited

## Model

### CL13



## Description

Pneumatic lift  
Chrome base  
50mm Safety soft casters (-50SS)  
Circle ring height adjuster  
18" chrome footring  
Optional 8" cylinder available  
18.5" - 26.5"

**NOTE:** OM reserves the right to ship up to 3x CL stools per carton. A \$20 net fee may apply for split cartoning (i.e., 3 stools in 3 boxes).

## Textile Grade-In

Grade 1 / C.O.M.	\$463.00
Grade 2 / Grade-in A	\$483.00
Grade 3 / Grade-in B	\$503.00
Grade 4 / Grade-in C	\$523.00
Grade 5 / Grade-in D	\$543.00
Grade 6 / Grade-in E	\$563.00

## List

## Specifications

Overall width	22"
Overall height	22" - 32"
Back	N/A
Seat	16" diameter
Seat height	22" - 32"
Travel range (ht.)	10" (seat)
COM	.75 yd.
Carton / FedEx wt	23 lbs / 28 lbs
Arms	N/A
Warranty	12 year limited

## Model

### CL14



## Description

Pneumatic lift  
Chrome base  
50mm Safety soft casters (-50SS)  
Foot activation

**NOTE:** OM reserves the right to ship up to 3x CL stools per carton. A \$20 net fee may apply for split cartoning (i.e., 3 stools in 3 boxes).

## Textile Grade-In

Grade 1 / C.O.M.	\$588.00
Grade 2 / Grade-in A	\$608.00
Grade 3 / Grade-in B	\$628.00
Grade 4 / Grade-in C	\$648.00
Grade 5 / Grade-in D	\$668.00
Grade 6 / Grade-in E	\$688.00

## List

## Specifications

Overall width	22"
Overall height	16" - 21"
Back	N/A
Seat	16" diameter
Seat height	16" - 21"
Travel range (ht.)	5" (seat)
COM	.75 yd.
Carton / FedEx wt	25 lbs / 28 lbs
Arms	N/A
Warranty	12 year limited

## Model

### CL15



## Description

Pneumatic lift  
Chrome base  
50mm Safety soft casters (-50SS)  
Foot activation  
Back height adjustment  
Fabric panel back  
Unique back support

**NOTE:** OM reserves the right to ship up to 2x CL stools per carton. A \$20 net fee may apply for split cartoning (i.e., 2 stools in 2 boxes).

## Textile Grade-In

Grade 1 / C.O.M.	\$723.00
Grade 2 / Grade-in A	\$743.00
Grade 3 / Grade-in B	\$763.00
Grade 4 / Grade-in C	\$783.00
Grade 5 / Grade-in D	\$803.00
Grade 6 / Grade-in E	\$823.00

## List

## Specifications

Overall width	25"
Overall height	28" - 36"
Back	13" w x 11" h
Seat	16" diameter
Seat height	16" - 21"
Travel range (ht.)	2.5" (back) / 5" (seat)
COM	1 yd.
Carton / FedEx wt	30 lbs / 33 lbs
Arms	N/A
Warranty	12 year limited

Above weights do not include optional arm kits. : FedEx weight is calculated using FedEx dimensional standards to determine billable weight. : Pricing and specifications subject to change without notification.

Please see pages 207 - 225 for casters and options.

exam room stools

**Model**

CL22



**Description**

Pneumatic lift
Chrome base
50mm Safety soft casters (-50SS)
Paddle height adjuster
Back height adjustment
Fabric panel back
Unique back support

**NOTE:** OM reserves the right to ship up to 2x CL stools per carton. A \$20 net fee may apply for split cartoning (i.e., 2 stools in 2 boxes).

**Textile Grade-In**

Grade 1 / C.O.M.	\$511.00
Grade 2 / Grade-in A	\$531.00
Grade 3 / Grade-in B	\$551.00
Grade 4 / Grade-in C	\$571.00
Grade 5 / Grade-in D	\$591.00
Grade 6 / Grade-in E	\$611.00

**List**

**Specifications**

Overall width	25"
Overall height	28" - 37"
Back	13" w x 11" h
Seat	16" diameter
Seat height	16" - 21"
Travel range (ht.)	2.5" (back) / 5" (seat)
COM	1 yd.
Carton / FedEx wt	31 lbs / 33 lbs
Arms	N/A
Warranty	12 year limited

**Model**

CL23



**Description**

Pneumatic lift
Chrome base
50mm Safety soft casters (-50SS)
Paddle height adjuster
18" chrome footring
Back height adjustment
Fabric panel back
Unique back support
Optional 8" cylinder available 20" - 28"

**Textile Grade-In**

Grade 1 / C.O.M.	\$629.00
Grade 2 / Grade-in A	\$649.00
Grade 3 / Grade-in B	\$669.00
Grade 4 / Grade-in C	\$689.00
Grade 5 / Grade-in D	\$709.00
Grade 6 / Grade-in E	\$729.00

**NOTE:** OM reserves the right to ship up to 2x CL stools per carton. A \$20 net fee may apply for split cartoning (i.e., 2 stools in 2 boxes).

**List**

**Specifications**

Overall width	25"
Overall height	35" - 47"
Back	13" w x 11" h
Seat	16" diameter
Seat height	23" - 33"
Travel range (ht.)	2.5" (back) / 10" (seat)
COM	1 yd.
Carton / FedEx wt	31 lbs / 33 lbs
Arms	N/A
Warranty	12 year limited

**Model**

CL33



**Description**

Pneumatic lift
Fixed Footring
50mm Safety soft casters (-50SS)
Circle ring height adjuster
8" chrome cylinder

**Textile Grade-In**

Grade 1 / C.O.M.	\$413.00
Grade 2 / Grade-in A	\$433.00
Grade 3 / Grade-in B	\$453.00
Grade 4 / Grade-in C	\$473.00
Grade 5 / Grade-in D	\$493.00
Grade 6 / Grade-in E	\$513.00

**List**

**Specifications**

Overall width	27"
Overall height	25" - 33"
Back	N/A
Seat	16" diameter
Seat height	25" - 33"
Travel range (ht.)	8" (seat)
COM	.75 yd.
Carton / FedEx wt	26 lbs / 33 lbs
Arms	N/A
Warranty	12 year limited

**Model**

CL35



**Description**

Pneumatic lift
Fixed Footring
50mm Safety soft casters (-50SS)
Back height adjustment
Fabric panel back
Unique back support
8" chrome cylinder

**Textile Grade-In**

Grade 1 / C.O.M.	\$541.00
Grade 2 / Grade-in A	\$561.00
Grade 3 / Grade-in B	\$581.00
Grade 4 / Grade-in C	\$601.00
Grade 5 / Grade-in D	\$621.00
Grade 6 / Grade-in E	\$641.00

**List**

**Specifications**

Overall width	27"
Overall height	37" - 47"
Back	13" w x 11" h
Seat	16" diameter
Seat height	25" - 33"
Travel range (ht.)	2.5" (back) / 8" (seat)
COM	1 yd.
Carton / FedEx wt	29 lbs / 33 lbs
Arms	N/A
Warranty	12 year limited


Above weights do not include optional arm kits. : FedEx weight is calculated using FedEx dimensional standards to determine billable weight. : Pricing and specifications subject to change without notification.

# Classic (CL)


Healthcare | Lab

Please see pages 43, 207 – 225 for casters and options.


small / petite

Model	Description	Textile Grade-In	List	Specifications
 <b>CL44EZ</b>	Simple Multi-Function (-7bNS)	Grade 1 / C.O.M.	\$498.00	Overall width 25"
	Pneumatic lift	Grade 2 / Grade-in A	\$518.00	Overall height 32" - 41"
	Back height adjustment	Grade 3 / Grade-in B	\$538.00	Back 16" w x 13" h
	Independent seat and back angle adjustment	Grade 4 / Grade-in C	\$558.00	Seat 18" w x 17" d
	55mm Carpet casters (-55C)	Grade 5 / Grade-in D	\$578.00	Seat height 16" - 21"
		Grade 6 / Grade-in E	\$598.00	Travel range (ht.) 4" (back) / 5" (seat)
		LG1 (Evita) / C.O.L.	\$728.00	COM 1 yd.
		LG2 (Lena-LDEL, LLUT, LORC only)*	\$753.00	Carton / FedEx wt 33 lbs / 68 lbs
		LG3 (Vulcano-LMIT, LSTG only)*	\$773.00	Arms Group 1 & 4
				Warranty 12 year limited

\*For NON In-Stock colors, check with OM Seating for additional pricing details.

Model	Description	Textile Grade-In	List	Specifications
 <b>CL44MD</b>	Simple Multi-Function (-7aCLSNS)	Grade 1 / C.O.M.	\$450.00	Overall width 25"
	Pneumatic lift	Grade 2 / Grade-in A	\$470.00	Overall height 32" - 41"
	Back height adjustment	Grade 3 / Grade-in B	\$490.00	Back 16" w x 13" h
	Infinitely locking back tilt	Grade 4 / Grade-in C	\$510.00	Seat 18" w x 17" d
	Polished aluminum package	Grade 5 / Grade-in D	\$530.00	Seat height 16" - 21"
	50mm Safety soft casters (-50SS)	Grade 6 / Grade-in E	\$550.00	Travel range (ht.) 3" (back) / 5" (seat)
				COM 1 yd.
				Carton / FedEx wt 34 lbs / 68 lbs
				Arms Group 1 & 4
				Warranty 12 year limited

average / medium


Model	Description	Textile Grade-In	List	Specifications
 <b>CL48EZ</b>	Simple Multi-Function (-7bNS)	Grade 1 / C.O.M.	\$578.00	Overall width 25"
	Pneumatic lift	Grade 2 / Grade-in A	\$598.00	Overall height 37" - 45.5"
	Back height adjustment	Grade 3 / Grade-in B	\$618.00	Back 17" w x 22" h
	Independent seat and back angle adjustment	Grade 4 / Grade-in C	\$638.00	Seat 18" w x 17" d
	55mm Carpet casters (-55C)	Grade 5 / Grade-in D	\$658.00	Seat height 16" - 21"
		Grade 6 / Grade-in E	\$678.00	Travel range (ht.) 4" (back) / 5" (seat)
		LG1 (Evita) / C.O.L.	\$823.00	COM 1 yd.
		LG2 (Lena-LDEL, LLUT, LORC only)*	\$848.00	Carton / FedEx wt 39 lbs / 101 lbs
		LG3 (Vulcano-LMIT, LSTG only)*	\$873.00	Arms Group 1 & 4
				Warranty 12 year limited

\*For NON In-Stock colors, check with OM Seating for additional pricing details.

Above weights do not include optional arm kits. : FedEx weight is calculated using FedEx dimensional standards to determine billable weight. : Pricing and specifications subject to change without notification.

Please see pages 43, 207 - 225 for casters and options.

stools

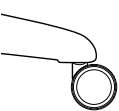
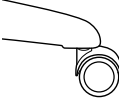
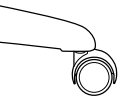
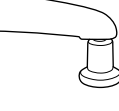
Model	Description	Textile Grade-In	List	Specifications	
	<b>CL45EZ</b>	Simple Multi-Function (-7bNS)	Grade 1 / C.O.M.	\$613.00	Overall width 27"
	Pneumatic lift	Grade 2 / Grade-in A	\$633.00	Overall height 41" - 55"	
	Back height adjustment	Grade 3 / Grade-in B	\$653.00	Back 16" w x 13" h	
	20" chrome footring	Grade 4 / Grade-in C	\$673.00	Seat 18" w x 17" d	
	Independent seat and back angle adjustment	Grade 5 / Grade-in D	\$693.00	Seat height 24" - 34"	
	Optional 8" cylinder available (20" - 28")	Grade 6 / Grade-in E	\$713.00	Travel range (ht.) 4" (back) / 10" (seat)	
	55mm Carpet casters (-55C)	LG1 (Evita) / C.O.L.	\$843.00	COM 1 yd.	
		LG2 (Lena-LDEL, LLUT, LORC only)*	\$868.00	Carton / FedEx wt 39 lbs / 68 lbs	
		LG3 (Vulcano-LMIT, LSTG only)*	\$888.00	Arms Group 1 & 4	
				Warranty 12 year limited	

\*For NON In-Stock colors, check with OM Seating for additional pricing details.




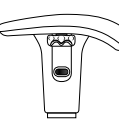
Model	Description	Textile Grade-In	List	Specifications	
	<b>CL47</b>	Simple Multi-Function (-7aCLS)	Grade 1 / C.O.M.	\$721.00	Overall width 27"
	Pneumatic lift	Grade 2 / Grade-in A	\$741.00	Overall height 41" - 54"	
	Back height adjustment	Grade 3 / Grade-in B	\$761.00	Back 17" w x 16.5" h	
	Infinitely locking back tilt	Grade 4 / Grade-in C	\$781.00	Seat 20" w x 17-20.1" d	
	Seat slider	Grade 5 / Grade-in D	\$801.00	Seat height 25.5" - 35.5"	
	<b>NEW Black Turn-lock footring</b>	Grade 6 / Grade-in E	\$821.00	Travel range (ht.) 3" (back) / 10" (seat)	
	Optional 8" cylinder available	LG1 (Evita) / C.O.L.	\$966.00	COM 1 yd.	
	55mm Carpet casters (-55C)	LG2 (Lena-LDEL, LLUT, LORC only)*	\$991.00	Carton / FedEx wt 58 lbs / 101 lbs	
		LG3 (Vulcano-LMIT, LSTG only)*	\$1,016.00	Arms Group 1 & 4	
				Warranty 12 year limited	

\*For NON In-Stock colors, check with OM Seating for additional pricing details.

common options

Suggested Options for CL Series	
<p><b>Casters</b></p>  <p><b>65MS</b> - list: 25.00 (upcharge) Dual-tone Universal Soft Casters Dual-tone; designed for wood, tile and smooth or harder surfaces. For most stools. (5 per set)</p>	 <p><b>50R</b> - list: 35.00 (upcharge) Reverse Braking Caster Restricted chair movement when chair IS in use (5 per set)</p>
 <p><b>50SS</b> - list: 25.00 (upcharge) Safety Soft Caster Minimizes chair movement when NOT in use (5 per set)</p>	 <p><b>GLDR</b> - (no charge to substitute) Not appropriate for all models. Check with factory for details (5 per set)</p>

Suggested Options for CL Series (CL44EZ, CL44MD, CL45EZ & CL48EZ)

Arms	
 <p><b>KR100M (2D Motion)</b> - list: 170.00 Height and width adjustable, removable T-arms with natural grip control and Memosoft arm pads.  For specs and warranty, see page 211.</p>	 <p><b>KR100-45 (4D Motion)</b> - list: 215.00 Height and width adjustable, removable T-arms with fore-aft, side-side, and inward pivoting arm tops (RP-45).  For specs and warranty, see page 212.</p>
 <p><b>KR200 (2D Motion)</b> - list: 125.00 Height and width adjustable, removable T-arms with natural grip control.  For specs and warranty, see page 211.</p>	 <p><b>KR25 (1D Motion)</b> - list: 70.00 Fixed width, height adjustable T-arms featuring natural grip control  For specs and warranty, see page 210.</p>

See pages 207-225 for a complete listing of all available arm, cylinder, caster, and other ergonomic options.

Not all options may be applicable to a given model. Check with OM for compatibility details.

Above weights do not include optional arm kits. : FedEx weight is calculated using FedEx dimensional standards to determine billable weight. : Pricing and specifications subject to change without notification.