

# Maxwell IU

## Features:

- Begins @ \$1,290 armless / \$1,409 with KR200 arms (MX84IU)
- Our heaviest chair both by weight and weight-rating is scaled and built to comfortably support up to 450 lbs.
- Relatively slim backrest design has a useful trapezoidal shape that creates less exaggerated aesthetics
- 24" wide seat, steel seat plate & extra heavy-duty components make this a strong choice





# Maxwell (MXIU/PD)

Multi-shift | Heavy-duty


Please see pages 189 – 207 for arm kits, casters, and other options.


average / medium

Model	Description	Textile Grade-In	List	Specifications
<b>MX84IU</b> 	<i>Simple Multi-Function (-7MX)</i>	Grade 1 / C.O.M.	\$1,290.00	Overall width 28"
	Pneumatic lift	Grade 2	\$1,315.00	Overall height 38" - 47"
	Tilting backrest	Grade 3 / Grade-in A	\$1,340.00	Back 23.5" w x 20" h
	EZ back height adjustment	Grade 4 / Grade-in B	\$1,365.00	Seat 24" w x 18-20.5" d
	Rocking tilt	Grade 5 / Grade-in C	\$1,390.00	Seat height 18" - 23"
	Tension knob	Grade 6 / Grade-in D	\$1,415.00	Travel range (ht.) 4" (back) / 5" (seat)
	Fabric panel back			COM 1.5 yds.
	Trim wide-back design			Carton / FedEx wt 63 lbs / 195 lbs
	Seat depth adjustment			Arms Group 1* (no ETR1)
	Dual-tone universal soft casters			*no KR23, KR23-45, KR23-65
			Warranty 7 year limited	

Model	Description	Textile Grade-In *	List	Specifications
<b>MX84PD</b> 	<i>Simple Multi-Function (-7MX)</i>	Grade 1 / C.O.M.	\$1,360.00	Overall width 28"
	Pneumatic lift	Grade 2	\$1,385.00	Overall height 38" - 47"
	Tilting backrest	Grade 3 / Grade-in A	\$1,410.00	Back 23.5" w x 20" h
	EZ back height adjustment	Grade 4 / Grade-in B	\$1,435.00	Seat 24" w x 18-20.5" d
	Rocking tilt			Seat height 18" - 23"
	Tension knob			Travel range (ht.) 4" (back) / 5" (seat)
	Fabric panel back (Ballistic Nylon)			COM 1.5 yds.
	Trim wide-back design			Carton / FedEx wt 63 lbs / 195 lbs
	Lower back (Ballistic Nylon)			Arms Group 1* (no ETR1)
	Seat depth adjustment			*no KR23, KR23-45, KR23-65
Dual-tone universal soft casters			Warranty 7 year limited	

large / xtra tall

Model	Description	Textile Grade-In	List	Specifications
<b>MX88IU</b> 	<i>Simple Multi-Function (-7MX)</i>	Grade 1 / C.O.M.	\$1,362.00	Overall width 28"
	Pneumatic lift	Grade 2	\$1,387.00	Overall height 43" - 52"
	Tilting backrest	Grade 3 / Grade-in A	\$1,412.00	Back 23.5" w x 25" h
	EZ back height adjustment	Grade 4 / Grade-in B	\$1,437.00	Seat 24" w x 18-20.5" d
	Rocking tilt	Grade 5 / Grade-in C	\$1,462.00	Seat height 18" - 23"
	Tension knob	Grade 6 / Grade-in D	\$1,487.00	Travel range (ht.) 4" (back) / 5" (seat)
	Fabric panel back			COM 2 yds.
	Trim wide-back design			Carton / FedEx wt 68 lbs / 195 lbs
	Seat depth adjustment			Arms Group 1* (no ETR1)
	Dual-tone universal soft casters			*no KR23, KR23-45, KR23-65
			Warranty 7 year limited	

Model	Description	Textile Grade-In*	List	Specifications
<b>MX88PD</b> 	<i>Simple Multi-Function (-7MX)</i>	Grade 1 / C.O.M.	\$1,432.00	Overall width 28"
	Pneumatic lift	Grade 2	\$1,457.00	Overall height 43" - 52"
	Tilting backrest	Grade 3 / Grade-in A	\$1,482.00	Back 23.5" w x 25" h
	EZ back height adjustment	Grade 4 / Grade-in B	\$1,507.00	Seat 24" w x 18-20.5" d
	Rocking tilt			Seat height 18" - 23"
	Tension knob			Travel range (ht.) 4" (back) / 5" (seat)
	Fabric panel back (Ballistic Nylon)			COM 2 yds.
	Trim wide-back design			Carton / FedEx wt 68 lbs / 195 lbs
	Lower back (Ballistic Nylon)			Arms Group 1* (no ETR1)
	Seat depth adjustment			*no KR23, KR23-45, KR23-65
Dual-tone universal soft casters			Warranty 7 year limited	

**NOTES:**

\*If purchasing arms separate (as a retrofit option), use special, heavier-duty bolts. Arms should normally be installed by OM or its authorized dealers.

Models designated as "FedEx Ground oversized" may incur additional charges when shipped via FedEx. Contact OM for pricing and details.

Above weights do not include optional arm kits. ∴ FedEx weight is calculated using FedEx dimensional standards to determine billable weight. ∴ Pricing and specifications subject to change without notification.

\*Application testing may be required for Grade-In fabrics on IUPD and MXPD seating. Consult OM for details.


**MX: Max Heavy-Duty (i.e., users up to 450 lbs.)**  
**PD: Police Department (i.e., perfect for police or security environments)**


# Maxwell (MXIU/PD)

Multi-shift | Heavy-duty


Please see pages 189 – 207 for arm kits, casters, and other options.


variations & stools

Model	Description	Textile Grade-In	List	Specifications
 <p><b>MX85IU</b> FedEx Ground oversized 450 POUNDS CAPACITY</p>	<i>Simple Multi-Function (-7MX)</i>	Grade 1 / C.O.M.	\$1,447.00	Overall width 32"
	Pneumatic lift	Grade 2	\$1,472.00	Overall height 49.5" - 59.5"
	Tilting backrest	Grade 3 / Grade-in A	\$1,497.00	Back 23.5" w x 20" h
	EZ back height adjustment	Grade 4 / Grade-in B	\$1,522.00	Seat 24" w x 18-20.5" d
	Rocking tilt	Grade 5 / Grade-in C	\$1,547.00	Seat height 28" - 34.5"
	Tension knob	Grade 6 / Grade-in D	\$1,572.00	Travel range (ht.) 4" (back) / 6.5" (seat)
	Fabric panel back			COM 1.5 yds.
	Trim wide-back design			Carton weight 57 lbs (box 1) / 18.2 lbs (box 2)
	Seat depth adjustment			FedEx weight 195 lbs (box 1) / 59 lbs (box 2)
	<i>Oversize Grande Spider Package</i>			Arms Group 1* (no ETR1)
	<i>6" Super HD cylinder and glides (upcharge for casters)</i>			*no KR23, KR23-45, KR23-65
				Warranty 7 year limited

Model	Description	Textile Grade-In*	List	Specifications
 <p><b>MX85PD</b> FedEx Ground oversized 450 POUNDS CAPACITY</p>	<i>Simple Multi-Function (-7MX)</i>	Grade 1 / C.O.M.	\$1,517.00	Overall width 32"
	Pneumatic lift	Grade 2	\$1,542.00	Overall height 49.5" - 59.5"
	Tilting backrest	Grade 3 / Grade-in A	\$1,567.00	Back 23.5" w x 20" h
	EZ back height adjustment	Grade 4 / Grade-in B	\$1,592.00	Seat 24" w x 18-20.5" d
	Rocking tilt			Seat height 28" - 34.5"
	Tension knob			Travel range (ht.) 4" (back) / 6.5" (seat)
	Fabric panel back (Ballistic Nylon)			COM 1.5 yds.
	Lower back (Ballistic Nylon)			Carton weight 57 lbs (box 1) / 18.2 lbs (box 2)
	Seat depth adjustment			FedEx weight 195 lbs (box 1) / 59 lbs (box 2)
	<i>Oversize Grande Spider Package</i>			Arms Group 1* (no ETR1)
	<i>6" Super HD cylinder and glides (upcharge for casters)</i>			*no KR23, KR23-45, KR23-65
				Warranty 7 year limited

\*JR-BN arms (shown here) are not included in list pricing.

Model	Description	Textile Grade-In	List	Specifications
 <p><b>MX87IU</b> FedEx Ground oversized 450 POUNDS CAPACITY</p>	<i>Simple Multi-Function (-7MX)</i>	Grade 1 / C.O.M.	\$1,519.00	Overall width 32"
	Pneumatic lift	Grade 2	\$1,544.00	Overall height 54.5" - 64.5"
	Tilting backrest	Grade 3 / Grade-in A	\$1,569.00	Back 23.5" w x 25" h
	EZ back height adjustment	Grade 4 / Grade-in B	\$1,594.00	Seat 24" w x 18-20.5" d
	Rocking tilt	Grade 5 / Grade-in C	\$1,619.00	Seat height 28" - 34.5"
	Tension knob	Grade 6 / Grade-in D	\$1,644.00	Travel range (ht.) 4" (back) / 6.5" (seat)
	Fabric panel back			COM 2 yds.
	Trim wide-back design			Carton weight 62 lbs (box 1) / 18.2 lbs (box 2)
	Seat depth adjustment			FedEx weight 195 lbs (box 1) / 59 lbs (box 2)
	<i>Oversize Grande Spider Package</i>			Arms Group 1* (no ETR1)
	<i>6" Super HD cylinder and glides (upcharge for casters)</i>			*no KR23, KR23-45, KR23-65
				Warranty 7 year limited

Model	Description	Textile Grade-In*	List	Specifications
 <p><b>MX87PD</b> FedEx Ground oversized 450 POUNDS CAPACITY</p>	<i>Simple Multi-Function (-7MX)</i>	Grade 1 / C.O.M.	\$1,589.00	Overall width 32"
	Pneumatic lift	Grade 2	\$1,614.00	Overall height 54.5" - 64.5"
	Tilting backrest	Grade 3 / Grade-in A	\$1,639.00	Back 23.5" w x 25" h
	EZ back height adjustment	Grade 4 / Grade-in B	\$1,664.00	Seat 24" w x 18-20.5" d
	Rocking tilt			Seat height 28" - 34.5"
	Tension knob			Travel range (ht.) 4" (back) / 6.5" (seat)
	Fabric panel back (Ballistic Nylon)			COM 2 yds.
	Lower back (Ballistic Nylon)			Carton weight 62 lbs (box 1) / 18.2 lbs (box 2)
	Seat depth adjustment			FedEx weight 195 lbs (box 1) / 59 lbs (box 2)
	<i>Oversize Grande Spider Package</i>			Arms Group 1* (no ETR1)
	<i>6" Super HD cylinder and glides (upcharge for casters)</i>			*no KR23, KR23-45, KR23-65
				Warranty 7 year limited

\*JR-BN arms (shown here) are not included in list pricing.

**NOTES:**  
MXIU/PD stools normally ship in 2 boxes per 1 stool.

\*Application testing may be required for Grade-in fabrics on IUPD and MXPD seating. Consult OM for details.

Glides recommended instead of casters on MXIU stools particularly on vinyl, laminate or similar hard surfaces.


Above weights do not include optional arm kits. ; FedEx weight is calculated using FedEx dimensional standards to determine billable weight. ; Pricing and specifications subject to change without notification.

# Maxwell (MXIU/PD)

Multi-shift | Heavy-duty

Please see pages 189 – 207 for arm kits, casters, and other options.

average / medium

Model	Description	Textile Grade-In	List	Specifications
<b>7878MX</b> 	<i>Simple Multi-Function (-7MX)</i>	Grade 1 / C.O.M.	\$1,365.00	Overall width 28"
	Pneumatic lift	Grade 2	\$1,390.00	Overall height 42.5" - 50.5"
	Tilting backrest	Grade 3 / Grade-in A	\$1,415.00	Back 18" w x 23" h
	EZ back height adjustment	Grade 4 / Grade-in B	\$1,440.00	Seat 24" w x 18-20.5" d
	Rocking tilt	Grade 5 / Grade-in C	\$1,465.00	Seat height 18" - 23"
	Tension knob	Grade 6 / Grade-in D	\$1,490.00	Travel range (ht.) 4" (back) / 5" (seat)
	Executive trim-back design			COM 2 yds.
	Seat depth adjustment			Carton / FedEx wt 68 lbs / 195 lbs
	Dual-tone universal soft casters			Arms Group 1* (no ETR1)
				*no KR23, KR23-45, KR23-65
			Warranty 7 year limited	

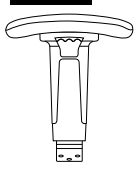

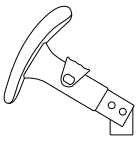

**DESIGN STATEMENT** Called the "Maxwell" for its MAX-size and WELL-structured construction, these chairs are big in so many aspects. Made of heavy-duty components from top to bottom, these full-size chairs with wide-back comfort and solid design are ideal for users up to 450 pounds.

The Maxwell is built to endure, and now redesigned with a tapered top and wide-based back rest to offer the same full support but with a less daunting appearance.

**NOTES** When upholstered in any Grade 5 ComfortKnit patterns (Solids, Architect, and Myth) MXIU Series back shells are upholstered in a high double-rub black fabric unless otherwise specified.

common options

## Common Options for Maxwell Intensive use 24-7

Arms			
	<b>JR77 (1D Motion)</b> - list: 100.00 Fixed width, height adjustable T-arms with molded arm pads.  For specs and warranty, see page 192.		<b>KR200 (2D Motion)</b> - list: 119.00 Height and width adjustable, removable T-arms with natural grip control.  For specs and warranty, see page 193.
	<b>JRBN (1D Motion)</b> - list: 267.00 Fixed width T-arms with fold back feature and trigger-style height control with ballistic nylon upholstered arm pads.  <b>JRPD (1D Motion)</b> - list: 267.00 Fixed width T-arms with fold back feature and trigger-style height control with Memosoft arm pads.  For specs and warranty, see page 191.		<b>KR100M (2D Motion) (formerly KR240M)</b> - list: 144.00 Height and width adjustable, removable T-arms with natural grip control and Memosoft arm pads.  For specs and warranty, see page 193.

Above weights do not include optional arm kits. ; FedEx weight is calculated using FedEx dimensional standards to determine billable weight. ; Pricing and specifications subject to change without notification.