

Intensive use 24/7

(To be renamed "PTIU", "PTHD", & "PTPD" in 2024)

Features:

- Begins @ \$810 armless / \$929 with KR200 arms (IU54)
- Ever feel like you're working 28 hours/day? IU and IUHD chairs are right there with you!
- Aesthetic complement to the PT series, but with long-lasting and/or heavy-duty parts
- Engineered composite bases, heavy-duty reinforced cylinders and mechanisms (IUHD/IUPD)
- Proprietary TLC Technology (Two-Layer Comfort) standard in IUHD/PD seats



Intensive Use 24-7 (IU)

(IU | to be renamed "PTIU" in 2024)

Multi-shift | Intense-use

Please see pages 61, 189 – 207 for arm kits, casters, and other options.

average / medium

Model

IU54

(aka, PTIU54)



300
POUNDS
CAPACITY

Description

Simple Multi-Function (-7b)
Pneumatic lift
EZ back height adjustment
Independent seat and back
angle adjustment
Seat depth adjustment
Flat panel back
55mm multi-surface casters (STD)

Textile Grade-In

Grade 1 / C.O.M.	\$810.00
Grade 2 / Grade-in A	\$830.00
Grade 3 / Grade-in B	\$850.00
Grade 4 / Grade-in C	\$870.00
Grade 5 / Grade-in D	\$890.00
Grade 6 / Grade-in E	\$910.00

List

Specifications

Overall width	27"
Overall height	38" - 47"
Back	20" w x 20" h
Seat	21" w x 17.9-21" d
Seat height	17" - 22"
Travel range (ht.)	4" (back) / 5" (seat)
COM	1.5 yds.
Carton / FedEx wt	48 lbs / 101 lbs
Arms	Group 1 & 4
Warranty	7 year limited

Model

IU72

(aka, PTIU72)



300
POUNDS
CAPACITY

Description

Simple Multi-Function (-7b)
Pneumatic lift
EZ back height adjustment
Independent seat and back
angle adjustment
Seat depth adjustment
55mm multi-surface casters (STD)

Textile Grade-In

Grade 1 / C.O.M.	\$810.00
Grade 2 / Grade-in A	\$830.00
Grade 3 / Grade-in B	\$850.00
Grade 4 / Grade-in C	\$870.00
Grade 5 / Grade-in D	\$890.00
Grade 6 / Grade-in E	\$910.00

List

Specifications

Overall width	27"
Overall height	36" - 45"
Back	17" w x 18" h
Seat	20" w x 17-20.1" d
Seat height	17" - 22"
Travel range (ht.)	4" (back) / 5" (seat)
COM	1 yd.
Carton / FedEx wt	54 lbs / 101 lbs
Arms	Group 1 & 4
Warranty	7 year limited

large

Model

IU58

(aka, PTIU58)



300
POUNDS
CAPACITY

Description

Simple Multi-Function (-7b)
Pneumatic lift
EZ back height adjustment
Independent seat and back
angle adjustment
Seat depth adjustment
Fabric panel back
55mm multi-surface casters (STD)

Textile Grade-In

Grade 1 / C.O.M.	\$872.00
Grade 2 / Grade-in A	\$892.00
Grade 3 / Grade-in B	\$912.00
Grade 4 / Grade-in C	\$932.00
Grade 5 / Grade-in D	\$952.00
Grade 6 / Grade-in E	\$972.00

List

Specifications

Overall width	27"
Overall height	43" - 52"
Back	20" w x 24" h
Seat	21" w x 17.9-21" d
Seat height	17" - 22"
Travel range (ht.)	4" (back) / 5" (seat)
COM	2 yds.
Carton / FedEx wt	55 lbs / 101 lbs
Arms	Group 1 & 4
Warranty	7 year limited

Model

IU76

(aka, PTIU76)



300
POUNDS
CAPACITY

Description

Simple Multi-Function (-7b)
Pneumatic lift
EZ back height adjustment
Independent seat and back
angle adjustment
Seat depth adjustment
55mm multi-surface casters (STD)

Textile Grade-In

Grade 1 / C.O.M.	\$872.00
Grade 2 / Grade-in A	\$892.00
Grade 3 / Grade-in B	\$912.00
Grade 4 / Grade-in C	\$932.00
Grade 5 / Grade-in D	\$952.00
Grade 6 / Grade-in E	\$972.00

List

Specifications

Overall width	27"
Overall height	40" - 48"
Back	19.5" w x 22" h
Seat	21" w x 18-21.1" d
Seat height	17" - 22"
Travel range (ht.)	4" (back) / 5" (seat)
COM	1.5 yds.
Carton / FedEx wt	57 lbs / 101 lbs
Arms	Group 1 & 4
Warranty	7 year limited

Above weights do not include optional arm kits. ; FedEx weight is calculated using FedEx dimensional standards to determine billable weight. ; Pricing and specifications subject to change without notification.


Intensive Use 24-7 (IU)


(IU | to be renamed "PTIU" in 2024)

Multi-shift | Intense-use

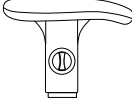
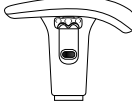
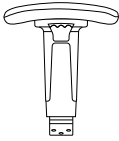
Please see pages 189 – 207 for arm kits, casters, and other options.

stools

Model	Description	Textile Grade-In	List	Specifications
IU55 (aka, PTIU55) 	<i>Simple Multi-Function (-7b)</i>	Grade 1 / C.O.M.	\$885.00	Overall width 27"
	Pneumatic lift	Grade 2 / Grade-in A	\$905.00	Overall height 45" - 59"
	EZ back height adjustment	Grade 3 / Grade-in B	\$925.00	Back 20" w x 20" h
	Independent seat and back angle adjustment	Grade 4 / Grade-in C	\$945.00	Seat 21" w x 17-20.1" d
	Seat depth adjustment	Grade 5 / Grade-in D	\$965.00	Seat height 24" - 34"
	Fabric panel back	Grade 6 / Grade-in E	\$985.00	Travel range (ht.) 4" (back) / 10" (seat)
	20" chrome footring			COM 1.5 yds.
	Turn-Lock footring			Carton / FedEx wt 53 lbs / 101 lbs
	Optional 8" cylinder available (21" - 29")			Arms Group 1 & 4
	55mm multi-surface casters (STD)			Warranty 7 year limited

Model	Description	Textile Grade-In	List	Specifications
IU73 (aka, PTIU73) 	<i>Simple Multi-Function (-7b)</i>	Grade 1 / C.O.M.	\$885.00	Overall width 27"
	Pneumatic lift	Grade 2 / Grade-in A	\$905.00	Overall height 43" - 57"
	EZ back height adjustment	Grade 3 / Grade-in B	\$925.00	Back 17" w x 18" h
	Independent seat and back angle adjustment	Grade 4 / Grade-in C	\$945.00	Seat 20" w x 17-20.1" d
	Seat depth adjustment	Grade 5 / Grade-in D	\$965.00	Seat height 24" - 34"
	20" chrome footring	Grade 6 / Grade-in E	\$985.00	Travel range (ht.) 4" (back) / 10" (seat)
	Turn-Lock footring			COM 1 yd.
	Optional 8" cylinder available (21" - 29")			Carton / FedEx wt 59 lbs / 101 lbs
	55mm multi-surface casters (STD)			Arms Group 1 & 4
				Warranty 7 year limited

common options

Arms			
	KR21 (1D Motion) - list: 70.00 Fixed width, turn-knob height adjustable T-arms. For specs and warranty, see page 192.		KR25 (1D Motion) - list: 70.00 Fixed width, height adjustable T-arms featuring natural grip control For specs and warranty, see page 192.
	KR200 (2D Motion) - list: 119.00 Height and width adjustable, removable T-arms with natural grip control. For specs and warranty, see page 193.		

See pages 189 to 207 for a complete listing of all available arm, cylinder, caster, and other ergonomic options. Not all options may be applicable to a given model. Check with OM for compatibility details.

Intensive Use 24-Seven Series designed to accommodate users up to 300 pounds.
IU: Intensive Use (aka, 24/7 environments), **HD:** Heavy-Duty (i.e. for occupants weighing up to 350 lbs.)

NOTE: When upholstered in any Grade 5 ComfortKnit patterns (Solids, Architect, and Myth) IU Series back shells are upholstered in a high double-rub black fabric unless otherwise specified.

Above weights do not include optional arm kits. ; FedEx weight is calculated using FedEx dimensional standards to determine billable weight. ; Pricing and specifications subject to change without notification.