

**applicable chair series**

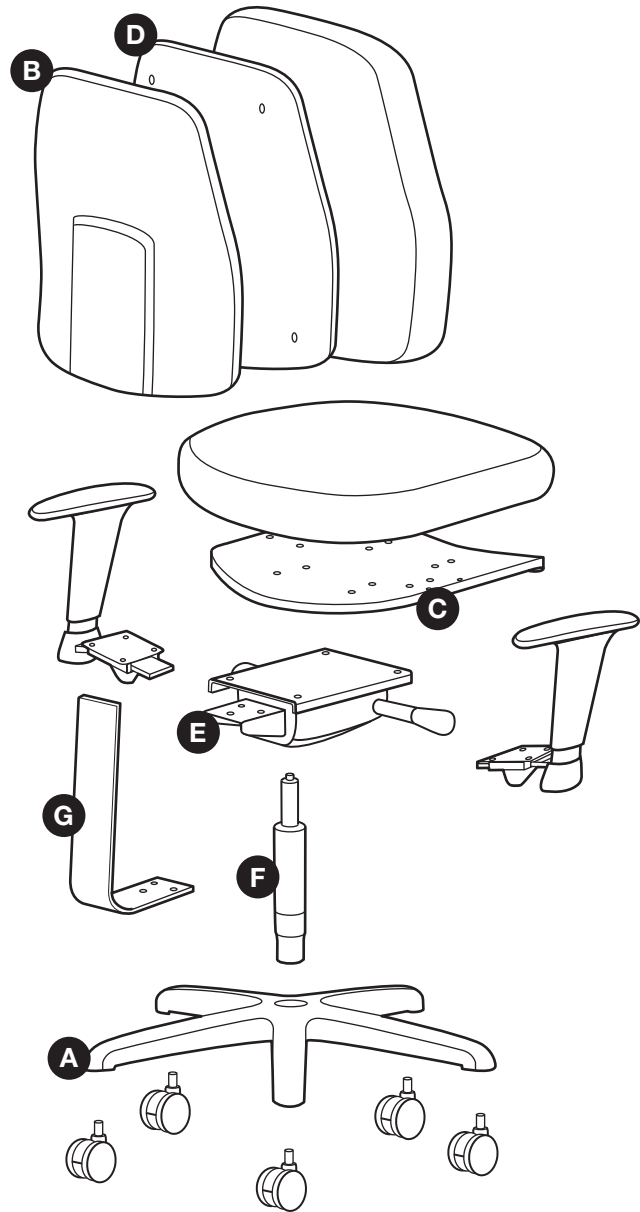
Affirm Cushioned  
 Budget Contract  
 Conference Executive  
 Classic Task  
 Classic Lab Stool  
 Discovery Back  
 Ginny Tasker  
 Heavy Duty  
 Intensive Use  
 Maxwell  
 Paramount  
 Patriot  
 PC

**recommended tools**

Safety Glasses  
 Work Gloves  
 Flat Head Screw Driver  
 Phillips Screw Driver  
 Socket Wrench Set  
 Allen Wrench Set  
 Hammer (Sledge preferred)  
 Pipe Wrench (24 inch preferred)  
 Utility Knife  
 Steel Putty Knife  
 Magnet

**recyclable material**

**A** Base — Plastic or Aluminum  
**B** Back Shell — Plastic  
**C** Seat Board — Plastic  
**D** Back Board — Plastic  
**E** Mechanism — Steel or Aluminum  
**F** Cylinder — Steel  
**G** Upright Bar — Steel  
**H** Hardware — Steel



**steps to disassemble**

- 1 Start by laying the chair on its back.
- 2 Pull the casters off the base. Use a flat head screw driver if needed to pry them loose.
- 3 Separate the base (A) from the cylinder (F) by striking the bottom of the cylinder housing with a hammer.
- 4 For stool models, remove the footring from the cylinder (F) by loosening the handwheel. If no handwheel is found, twist the entire footring.
- 5 If the mechanism (E) has an aluminum body (a magnet will not attract to it), remove the cylinder from the mechanism.  
 Use a pipe wrench to twist the piston inserted into the mechanism housing. If the mechanism is steel (a magnet will attract to it), the cylinder and mechanism can be recycled together.
- 6 Remove the arms from the seat with a screw driver or socket wrench.
- 7 Locate four bolts holding the mechanism to the seat, and remove them with a screw driver or socket wrench.  
 If needed, slide the seat forward to access the screws.
- 8 Pry apart the back shell (B) from the back with a flathead screw driver.
- 9 With an allen wrench, remove the upright bar (G) from the back height adjust ratchet mechanism.
- 10 Remove the back height adjust ratchet from the back board (D) with an allen wrench.
- 11 Remove the fabric from the seat and back with a utility knife.
- 12 Separate foam from the wood or plastic seat board (C) with putty knife.