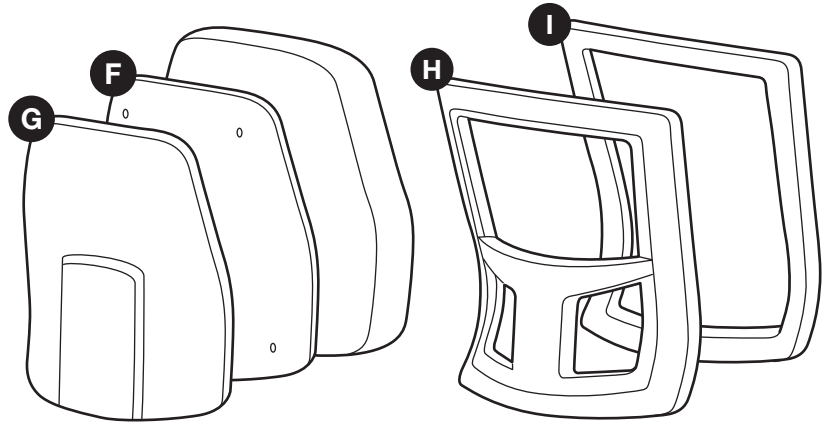


disassembly & recycling instructions

guest/side chair

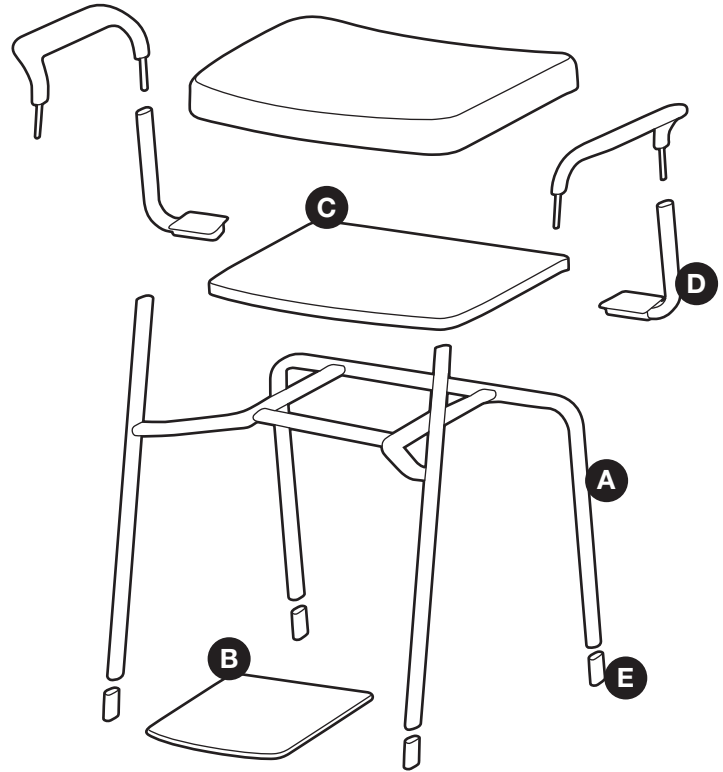
applicable chair series

Affirm Guest/Nest
 Paramount Guest/Nest
 Yes Guest/Nest
 Ginny
 SG5K



recommended tools

Safety Glasses
 Work Gloves
 Flat Head Screw Driver
 Phillips Screw Driver
 Socket Wrench Set
 Allen Wrench Set
 Utility Knife
 Steel Putty Knife



recyclable material

- A** Leg Frame — Steel
- B** Bottom Cover — Plastic
- C** Seat Board — Plastic
- D** Arms — Plastic or Steel
- E** Glides — Plastic
- F** Back Board — Plastic
- G** Back Shell — Plastic
- H** Back Frame — Plastic
- I** Mesh Frame — Plastic
- J** Hardware — Steel



steps to disassemble

- 1 Start by laying the chair on its back.
- 2 Pull or unscrew the glides **(E)** off the leg frame. Use a flat head or phillips head screw driver if needed.
- 3 Separate the bottom cover **(B)** from the leg frame **(A)** with a phillips head screw driver or allen wrench.
- 4 Locate any screws holding the arms **(D)** to the leg frame or seat shell, remove the screws and pull off arms.
- 5 Remove the leg frame from the seat board **(C)** with a screw driver and allen wrench.
- 6 Remove the fabric from the seat with a utility knife.
- 7 Separate foam from the seat board with putty knife.
- 8 For upholstered backs, remove the back shell **(G)** from the back board **(F)** using a phillips screw driver to pry them apart.
- 9 For mesh backs, separate the **(H)** back frame from the **(I)** mesh frame with a screw driver.

disassembly & recycling instructions
stacking/guest chair: plastic seat & back

applicable chair series

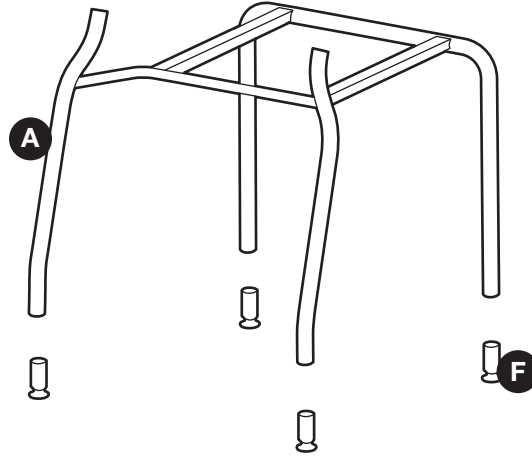
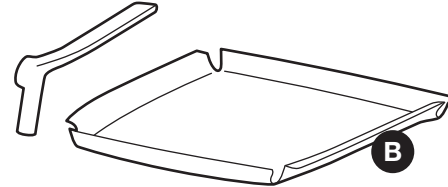
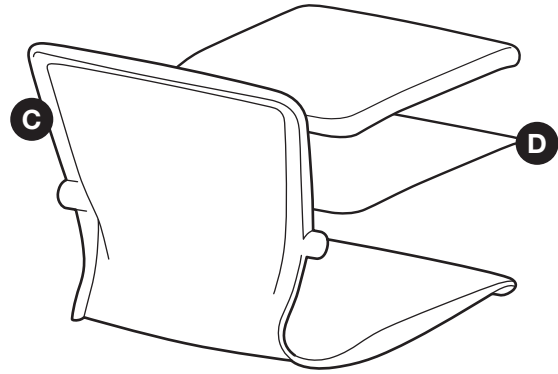
OM5 Active Guest
 OM5 Active Sled
 OM5 Active Cafe
 Werksy Guest
 Tibidi
 ST400/F
 SG1/2/3

recommended tools

Safety Glasses
 Work Gloves
 Flat Head Screw Driver
 Phillips Screw Driver
 Socket Wrench Set
 Allen Wrench Set
 Utility Knife
 Steel Putty Knife

recyclable material

A Leg Frame — Steel
B Bottom Cover — Plastic
C Seat Shell — Plastic
D Upholstery Liner — Plastic
E Arms — Plastic
F Glides — Plastic
G Hardware — Steel



steps to disassemble

- 1 Start by laying the chair on its back.
- 2 Pull or unscrew the glides **F** off the leg frame. Use a flat head or phillips head screw driver if needed.
- 3 Separate the bottom cover **B** from the leg frame **A** with a phillips head screw driver or allen wrench.
- 4 Locate any screws holding the arms **E** to the leg frame or seat shell, remove the screws and pull off arms.
- 5 Remove the leg frame from the seat shell **C** with a screw driver and allen wrench.
- 6 Remove the upholstery liner **D** from the seat shell with a screw driver.
- 7 Remove the fabric from the seat with a utility knife.
- 8 Separate foam from the upholstery liner with putty knife.